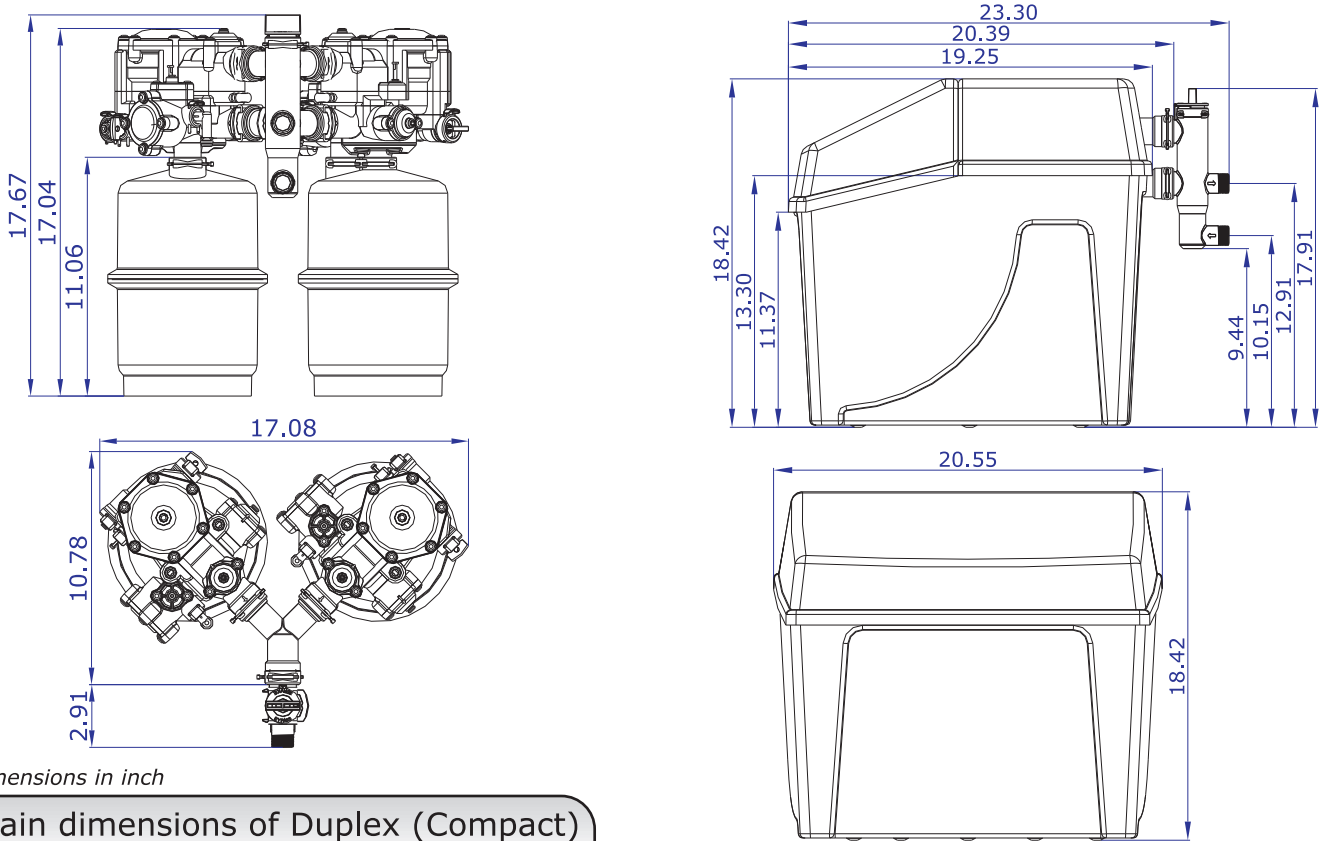


Technical data

TYPE	D-330	
Connection	1/2" , 3/4" , 1"	<i>inch</i>
Working Pressure	15 - 115	<i>psi *</i>
Flow Rate (at 15psi)	11.4	<i>gpm</i>
Exchange Capacity	5583	<i>grains</i>
Water Usage / Regeneration	5.3 (2x)	<i>gallon</i>
Salt Usage / Regeneration	0.66 (2x)	<i>lb</i>
Regeneration Time	15	<i>min.</i>
Max. Temperature	104	<i>°F</i>
Filterscreen	200	<i>Mesh</i>

* minimum outlet pressure after the softener has to be 11.6 psi or higher



Dimensions in inch

Main dimensions of Duplex (Compact)



2 Units are connected by two Y-pieces



1/2" , 3/4" , 1"

Connections



3/4"

Bypass

or